

# Product data sheet

Specifications



## General purpose relay, SE Relays, 788R, DPDT, 10A, 24 VDC, Quick terminal, clear cover with LED, lock push button

788XBXR4L-24D

**Product availability: Stock - Normally stocked in distribution facility**

### Main

Product Type	Plug-in electromechanical relay
Rated Line Current	10 A
Switch Function	DPDT
Contact Composition	2 NC + 2 NO

### Complementary

Rated Operational Current	10 A at 277 V AC (on resistive load) conforming to UL 10 A at 30 V DC (on resistive load) conforming to UL 10 A at 250 V AC-1 (1 NO) (on resistive load) conforming to IEC 10 A at 28 V DC-1 (1 NO) (on resistive load) conforming to IEC 5 A at 250 V AC-1 (1 NC) (on resistive load) conforming to IEC 5 A at 28 V DC-1 (1 NC) (on resistive load) conforming to IEC
[Ue] rated operational voltage	24 V DC
Maximum Switching Voltage	300 V UL 300 V CSA 250 V IEC
Control Type	Lockable test button
Mounting Support	plug-in
Local Signalling	LED Cover Flag
Contacts Material	Silver alloy, gold flashed
Rated Power in HP	0.33 HP 120 V AC 1 HP 277 V AC
Connections Terminals	blade terminal
Control Circuit Voltage Limits	0.8...1.1 Un DC
Resistance	470 Ohm
Average Coil Consumption	1.4 W
Vibration Resistance	+/- 1 mm 10...35 Hz in operation 3 gn 35...150 Hz in operation
Operating Time	20 ms
Drop-out Voltage Threshold	>= 0.15 Uc AC >= 0.1 Uc DC
Minimum Switching Current	10 mA 17 V DC
Product Weight	2.9 oz (83 g)
Height	2.09 in (53 mm)
Width	1.4 in (35 mm)

Price is "List Price" and may be subject to a trade discount – check with your local distributor or retailer for actual price.

---

Depth	1.4 in (35.5 mm)
-------	------------------

---

## Environment

---

Shock Resistance	10 gn
------------------	-------

---

Ambient Air Temperature for Operation	-40...131 °F (-40...55 °C)
---------------------------------------	----------------------------

---

Ambient Air Temperature for Storage	-40...185 °F (-40...85 °C)
-------------------------------------	----------------------------

---

Product Certifications	UL CSA CE EAC
------------------------	------------------------

---

Dielectric Strength	2500 V AC between coil and contact 2000 V AC between poles 1500 V AC between contacts
---------------------	---

---

Electrical Durability	100000 cycles
-----------------------	---------------

---

Mechanical Durability	5000000 cycles
-----------------------	----------------

---

IP Degree of Protection	IP40
-------------------------	------

---

## Ordering and shipping details

---

Category	US10CP221127
----------	--------------

---

Discount Schedule	0CP2
-------------------	------

---

GTIN	3606480779893
------	---------------

---

Returnability	Yes
---------------	-----

---

Country of origin	CN
-------------------	----

---

## Packing Units

---

Unit Type of Package 1	PCE
------------------------	-----

---

Number of Units in Package 1	1
------------------------------	---

---

Package 1 Height	1.40 in (3.56 cm)
------------------	-------------------

---

Package 1 Width	1.40 in (3.56 cm)
-----------------	-------------------

---

Package 1 Length	2.40 in (6.1 cm)
------------------	------------------

---

Package 1 Weight	0.20 lb(US) (0.09 kg)
------------------	-----------------------

---

## Environmental Data

Schneider Electric aims to achieve Net Zero status by 2050 through supply chain partnerships, lower impact materials, and circularity via our ongoing “Use Better, Use Longer, Use Again” campaign to extend product lifetimes and recyclability.

[Environmental Data explained >](#)

[How we assess product sustainability >](#)

### Environmental footprint

[Environmental Disclosure](#)

[Product Environmental Profile](#)

## Use Better

### Materials and Substances

Packaging without single use plastic

Yes

[EU RoHS Directive](#)

Pro-active compliance (Product out of EU RoHS legal scope)

REACH Regulation

[REACH Declaration](#)

California proposition 65

**WARNING:** This product can expose you to chemicals including: Nickel compounds, which is known to the State of California to cause cancer, and Di-isodecyl phthalate (DIDP), which is known to the State of California to cause birth defects or other reproductive harm. For more information go to [www.P65Warnings.ca.gov](http://www.P65Warnings.ca.gov)

## Use Again

### Repack and remanufacture

Circularity Profile

[End of Life Information](#)

Take-back

No

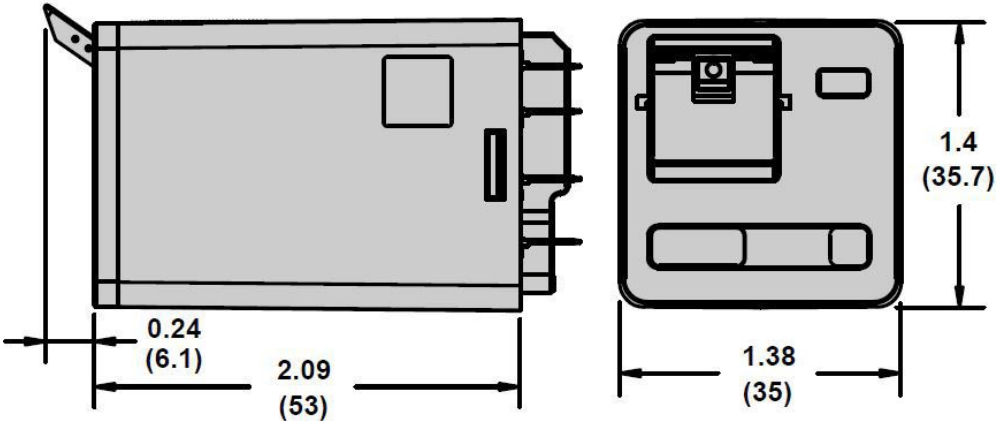
WEEE

 The product must be disposed on European Union markets following specific waste collection and never end up in rubbish bins.

Dimensions Drawings

Approximate Dimensions

---



Connections and Schema

Connections and Wiring Diagrams

---

